

Geometry

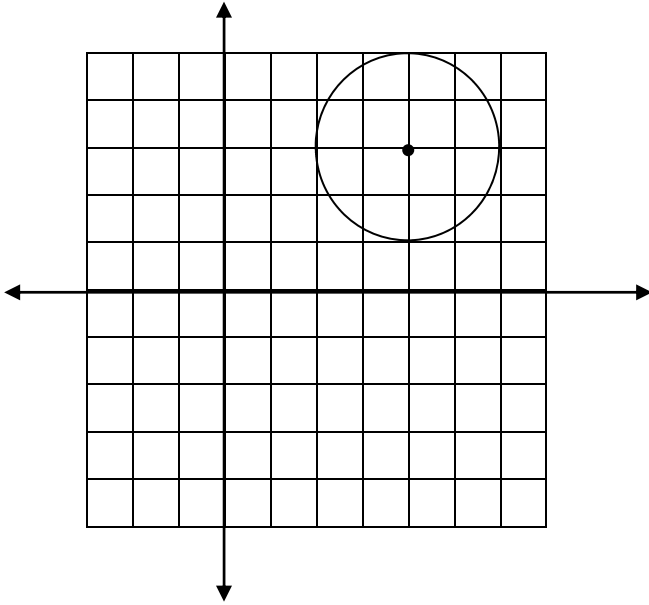
Unit 2 Circle Practice

Name:

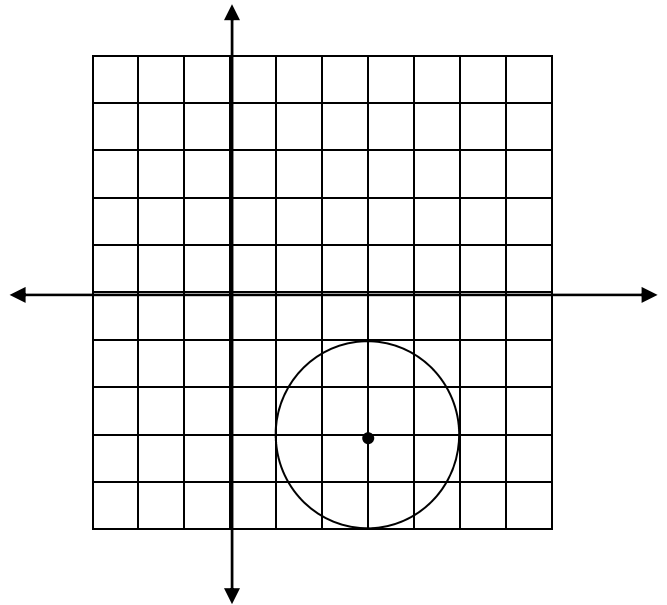
Date:

Period: 1 2 3 4 5 6

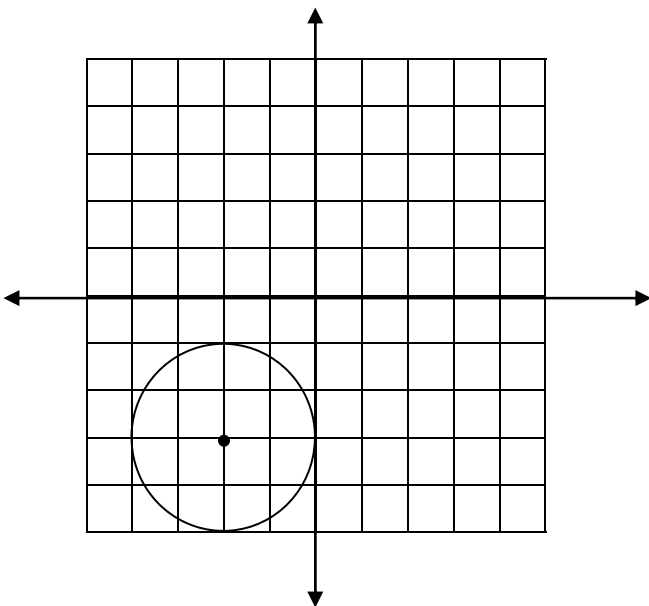
- 1 Given the graph below. Which is the equation of the circle?



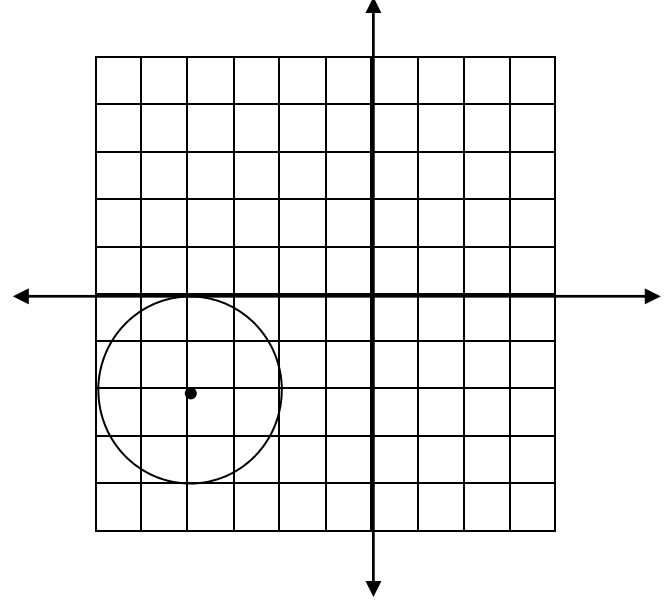
- 2 Given the graph below. Which is the equation of the circle?



- 3 Given the graph below. Which is the equation of the circle?



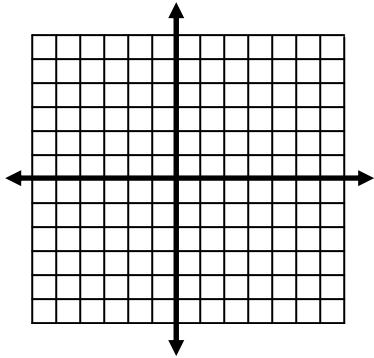
- 4 Given the graph below. Which is the equation of the circle?



5

Graph the circle given the equation below:

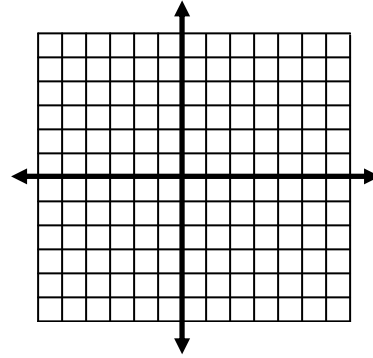
$$(x + 2)^2 + (y - 1)^2 = 4$$



6

Graph the circle given the equation below:

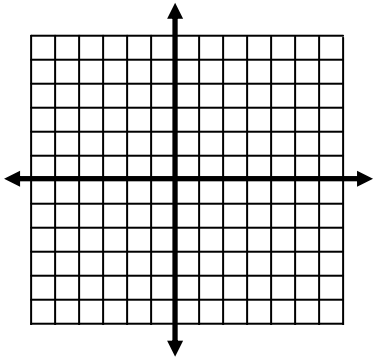
$$(x + 3)^2 + (y - 2)^2 = 4$$



7

Graph the circle given the equation below:

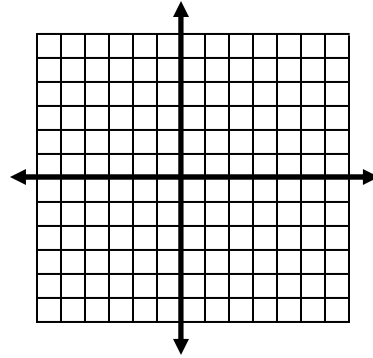
$$(x - 2)^2 + (y + 1)^2 = 9$$



8

Graph the circle given the equation below:

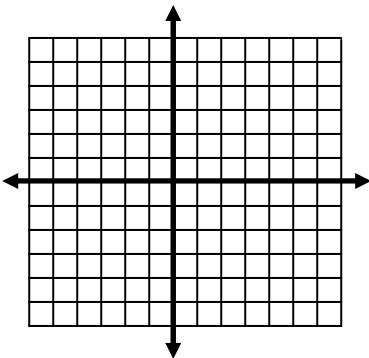
$$(x + 3)^2 + (y - 2)^2 = 1$$



9

Graph the circle given the equation below:

$$(x - 3)^2 + (y - 2)^2 = 1$$



10

Graph the circle given the equation below:

$$(x + 1)^2 + (y + 2)^2 = 9$$

